

SM-37

MICRO SWITCH SM-37 SERIES



SM-37D (W1)



SM-37D (ST)

SPECIFICATIONS



RECOGNIZED COMPONENT



Conforms to UL STD.61058-1.
Certified To CSA-STD.C22.2
No. 61058-1.

0.5A	125/250VAC	40T85μ	1E5
0.5A	30VDC	40T85μ	1E5
3(3)A	125/250VAC	40T85μ	5E4
5(2)A	125/250VAC	40T85μ	5E4
5A	30VDC	40T85μ	5E4
6(3)A	125/250VAC	40T85μ	5E4
8(2)A	125/250VAC	40T105μ	1E4
10(3)A	125/250VAC	40T105μ	1E4

FEATURES

- Usage: Food processor, Hair care, Cleaning Robot, Coffee machine
用途：食品處理器、美髮產品、清潔機器人、咖啡機
- Operating force option
操作力選項
- With lever & special button option
訊號及主開關應用
- Signal and Power switch
帶槓桿和特殊按鈕選項
- Waterproof IP40 / IP67 design option
防水 IP40 / IP67 設計選項
- Wire terminal design option
接線端子設計選項
- Temperature Rating: -40°C~105°C
額定溫度：-40°C~105°C
- Flammability Rating: UL94V-2 / Optional UL94V-0
可燃性等級：UL94V-2 / 可選 UL94V-0

IP67 waterproof protection for housing type W2 and W1[except the terminal] (KEMA,ENEC approved)

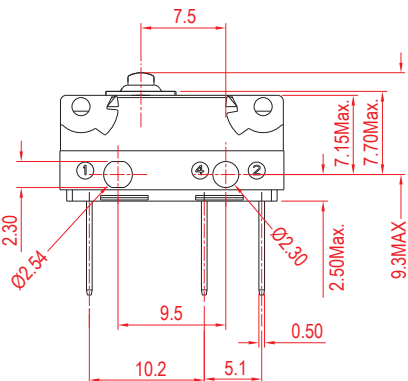
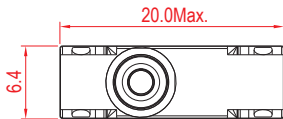
ORDER INFORMATION

ST	D	S	1	1	0	H	
PROTECTION DEGREE	FUNCTION	RATING	OPERATING FORCE	OPERATING LEVER/KONB	OPERATING LEVER POSITION	TERMINAL	INTERNAL USE ONLY
ST IP40 	D (ON-OFF) E ON-(OFF) F ON-(ON) 	S 0.5A 125/250VAC 1E5 40T85μ 0.5A 30VDC 1E5 40T85μ M 3(3)A 125/250VAC 5E4 40T85μ 5(2)A 125/250VAC 5E4 40T85μ 5A 30VDC 5E4 40T85μ 8(2)A 125/250VAC 40T105μ L 6(3)A 125/250VAC 5E4 40T85μ 10(3)A 125/250VAC 40T105μ	1 80 g.f Max 2 150 g.f Max 3 200 g.f Max 4 250 g.f Max 5 350 g.f Max	0 1 	0 NONE H HIGH RATIO L LOW RATIO 	S* S1* P* P1* H H1 V* R* 	W1 IP67 EXCEPT THE TERMINAL W2* IP67

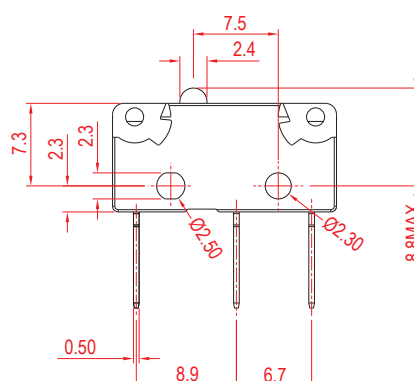
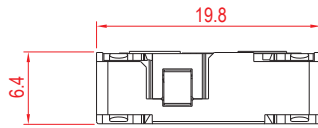
NOTES:

1. L Rating only for 200g.f and Max.250g.f Max. and 350g.f Max.
2. Operating force measured at the knob.
- 3.The option with "*" without tooling

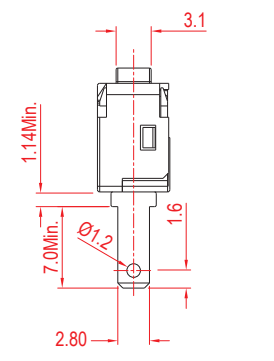
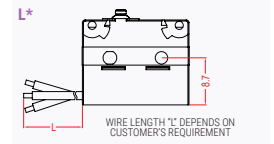
TERMINAL S, P, H, FOR SM-37-W1 ONLY.
TERMINAL V, R, L, FOR SM-37-W2 ONLY.
TERMINAL S1, P1, H1, FOR SM-37-ST ONLY.



SM-37-W1



SM-37-ST



ROCKER SWITCH

ROTARY SWITCH

PUSH SWITCH

MICRO SWITCH

SLIDE SWITCH

INDICATOR LAMP

AC SOCKET

KEYBOARD SWITCH

TIMER SWITCH

POWER SWITCH